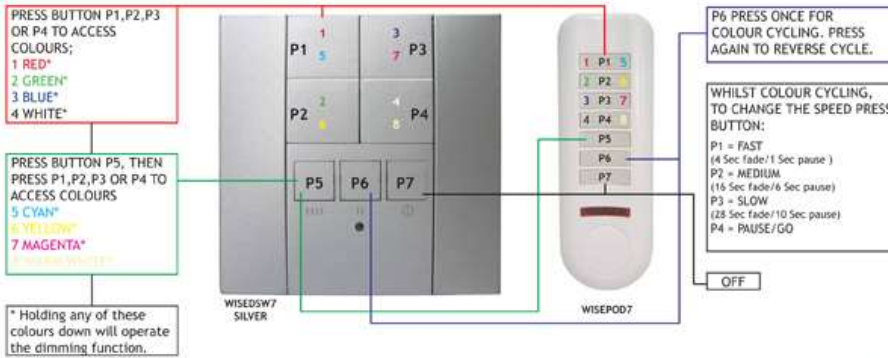


PROGRAMMING OPTIONS

OPTION A - FULL COLOUR CHANGING with RGB LEDs, using one of the 7 BUTTON WIRELESS SWITCHES



OPTION A1 DIMMING AND SWITCHING RGB LEDs using our 7 BUTTON WIRELESS SWITCH



On the Chameleon pack press button T1 once and hold (you will hear 1 beep), then press button P1 on the switch at the same time. This will program all 7 buttons. The chameleon is ready to use. If after programming only 1 of the buttons change the colour please delete the memory and try again.

OPTION A2 REPROGRAMMING THE PRESET COLOURS from a WIRELESS SWITCH



To save your own preset colours, simply hold down button P6 until the lights flash 2 times and then start scrolling through the spectrum. Wait until you reach the colour you like, then hold down the button of the preset colour you wish to replace. The lights will flash to show the programming has been completed successfully.

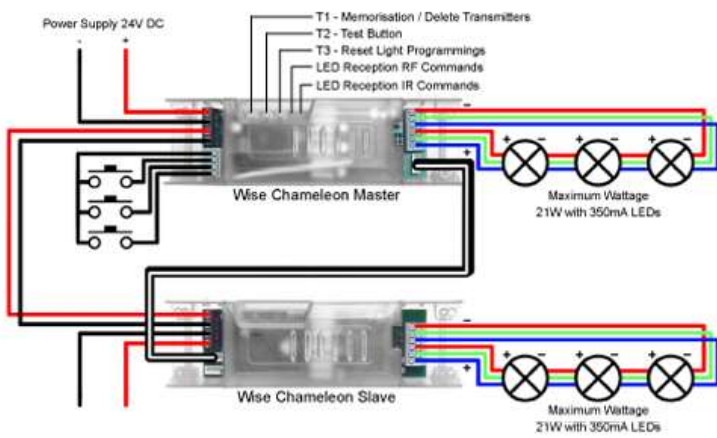
HOW TO OPERATE



PROGRAMMING:

ON THE CHAMELEON PACK PRESS BUTTON T1, RELEASE, THEN PRESS AGAIN AND HOLD, WHILE HOLDING T1 PRESS BUTTON P1 ON THE SWITCH. ALL BUTTONS ARE NOW PROGRAMMED AND THE CHAMELEON IS READY TO USE.

WIRING DIAGRAM



WiseChameleon
COLOUR CHANGE CONTROL