



## GENERAL DESCRIPTION

### Attention!

The subject appliance must be installed only by qualified technical personnel in compliance with the standards. All connections must be rated for a single-phase power supply of 230V. For the disconnection from the power line, use an all-pole switch with contact with an opening of at least 3,5mm. Only suitable materials for the connections must be used to guarantee insulation that complies with current standards on the subject of electrical safety. The programmer carries out movement commands by radio; all the necessary safety devices are to be seen to separately.

Radio receiver, for DIN rail guide, with 10A 250 V  $\overline{\sim}$  relay contacts, transmitter channel memorization by means of an internal button or remote (via radio) using channel code addressing.

Centralised commands are possible allowing you to simultaneously switch on more than one appliance. Programmable relay functions: impulsive, ON/OFF and timer controlled up to 8 hours, 59 minutes and 59 seconds using internal buttons.

It can be commanded either by standard radio controls or directly through commands sent from the TVLINK. The specific TVLINK codes are encoded directly by the manufacturer inside an EEprom memory module that maintains the information even in case of blackouts. They are also printed on the product label so they can be inserted into the TVLINK device. These codes cannot be cancelled or modified as they are an integral part of the receiver.

The transmitter code can be inserted (memorised) either directly into the receiver or via radio from the transmitter. The second possibility allows you to insert new transmitters into an existing system without having to have the receiver on hand. This may be carried out easily by the user without the help of the installer whilst still guaranteeing the total secrecy of the code.

The user code is memorised under EEprom in the receiver which maintains the code information even when faced with blackouts.

### Transmitters

The transmitters are encoded in the factory and each transmitter has its own unique code.

Caution! If you keep a channel button pressed down for more than 30 seconds the transmitter will automatically switch off.

The receiver is compatible with all transmitters of the TVLink range: TVTXV, TVTXP, TVTXC, TVTXK, TVTXQ, TVTXL, TVTXS...

## SETTING THE IMPULSIVE, ON-OFF AND TIMER CONTROL FUNCTIONS

### Attention

-Once you have entered the menu you cannot leave without altering the settings. The receiver will save the settings automatically 5 seconds after the last button was released.

#### 1- To set the impulsive function ("IMPULSIVE"):

Press and hold down the "SET" button until the led "IMP" lights up. Release the button and wait until the led goes out (the led will go out five seconds after the button is released and the settings will be saved automatically).

In this way we have set an impulsive function.

#### 2- To set the on-off function ("ON-OFF"):

Press the "SET" button twice and hold down until the "ON-OFF" led lights up. Release the button and wait until the led goes out (the led will go out five seconds after the button is released and the settings will be saved automatically).

In this way we have set an On-Off function.

#### 3- To set the timer function ("SEC, MIN, HOU"):

To change the seconds, press the "SET" button three times and hold down until the "SECONDS" led lights up. At this point we can change the seconds by increasing them using the "MEM" button or decreasing them using the "DEL" button. Each time we press the "MEM" or "DEL" button the led will go out and the value will be increased or decreased (e.g. 10 impulses correspond to 10 seconds). You can set from 1 to 59 seconds, from 0 to 59 minutes and from 0 to 8 hours: Once you have reached the maximum of minimum limit the led will switch off and the value will no longer be increased or decreased.

After the seconds have been modified we can either wait for the led to go out and save the settings or we can modify the minutes and hours.

To change the minutes press the "SET" button another time (within five seconds) until the "MINUTES" led lights up. At this point we can change the minutes by increasing them using the "MEM" button or decreasing them using the "DEL" button. After the minutes have been modified we can either wait for the led to go out and save the settings for the seconds and minutes or we can modify the hours.

To change the hours press the "SET" button another time (within five seconds) until the "HOURS" led lights up. At this point we can change the hours by increasing them using the "MEM" button or decreasing them using the "DEL" button. After the hours have been modified we can either wait for the led to go out and save the settings for the seconds, minutes and hours or we can press "SET" again to modify "IMPULSIVE" or "ON-OFF" once more (see points 1 or 2).

Each time you enter the timer setting function the starting values for the seconds, minutes and hours are as follows: SEC=1, MIN=0, HOUR=0.

If you have memorized the channel in couple, you can turn-off the relay with CH2 or CH4 before the set time.

## 4- Memorization

**Attention!** The first transmitter must be memorized using the receiver (each time you start a new installation you should cancel the entire memory content by pressing DEL in the receiver)

### 4.1- Memorisation single channel

The channels ch1,ch2,ch3,ch4 will be memorised one by one.

1- Press and hold down the pushbutton MEM of the receiver, the buzzer will sound continuously.

2- Transmit the channel which is to be memorised, once the channel is memorised, the buzzer will sound intermittently, release the pushbutton.

Repeat points 1 and 2 to memorise ulterior channels from receiver.

See paragraph 5 to memorise ulterior channels from transmitter.

### 4.2- Memorisation couple of channels

The channels ch1,ch2 and ch3,ch4 will be memorised in couple.

1- Press twice and hold down the pushbutton MEM of the receiver, the buzzer will sound continuously.

2- Transmit one of the couple of channel which is to be memorised, once the channel is memorised, the buzzer will sound intermittently, release the pushbutton.

Repeat points 1 and 2 to memorise ulterior channels from receiver.

See paragraph 5 to memorise ulterior channels from transmitter.

## 5- How to insert a transmitter via radio without having to access the receiver by means of an already memorized transmitter (memory indexing procedure)

The type of memorisation of the channels (single, couple or 7-channel) depends on how the channel, which is used in point 4, has been memorized.

1) Press the button P3 located inside the already memorized transmitter. The enabled receiver sound continuously for 5 seconds.

2) Transmit a channel present in the memory of the receiver, in which the new code is to be memorized, within 5 seconds and the buzzer will interrupt the sound for 1 sec, and then carry on for another 5 seconds.

3) Transmit the new channel to be memorized within 5 seconds and once memorized the buzzer will sound intermittently.

To insert other transmitters another code repeat operations 1,2 and 3

If the receiver's memory is full it cannot be enabled and this will be indicated by the buzzer B1 sounding intermittently.

## 6- To cancel a code with the push button DEL in the receiver

1) Press and hold down "DEL", after 0.8 seconds buzzer will sound intermittently slowly.

2) Transmit the code which is to be cancelled, once it has been cancelled, buzzer will sound continuously.

To cancel ulterior code repeat points 1 and 2.

### 6.1- To cancel all memorised coedes with the push button DEL in the receiver

1) Press and hold down "DEL" at least for 0.8 seconds, then buzzer will sound slowly and intermittently. At this point release "DEL" and press it again within 0.5 seconds, hold it down for at least 10 seconds (during this period buzzer will sound intermittently and quickly) as buzzer will sound continuously. Release the button after completing the operation.

### 6.2- To cancel via radio a code through a trasmitter already set in the memory

### 7- Errors during the memorising

If the code is not memorised it could be due to the following conditions:

- The code already exists in memory
- The memory is full (max. 42 codes). In this case the buzzer the Buzzer will make 3 bip each time the power is switched on and during the memorisation.

### 8- Notes

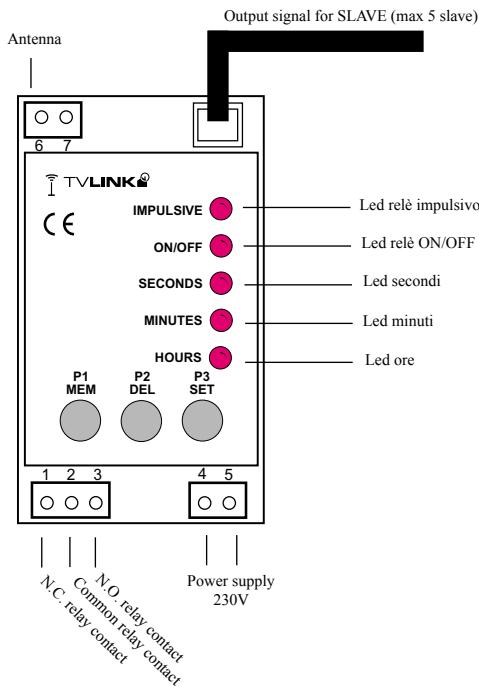
- If a receiver receives a signal from a transmitter with low battery, it will be signaled by 5 quick bips every 10 seconds for 1 minute.
- If you want use the timer function with the TVTXS transmitter, you have to memorize the channel of activation (channel 1) like a single channel (par. 4.1).

### Antenna

The correct installation and connection of the antenna is fundamental in order to obtain a good range for the installation.  
Connect a 8,5 cm piece of wire to the antenna pole connection on the device.  
As an alternative (and for better results) use a tuned antenna connected to the receiver via a coaxial cable RG 58 (impedance 50 Ohm) with a maximum length of 15 metres (mod. ANT868).

### TECHNICAL SPECIFICATIONS

- reception frequency 868.3 MHz
- intermediate frequency IF 10.7 MHz
- sensitivity (finely tuned signal) 1  $\mu$ V
- power supply 230 V  $\sqrt{\text{~}}$   $\pm$  10%
- operating temperature range -20° - +60°C
- maximum commutable power at the relay with resistive load: 10A / 24 V  $\sqrt{\text{~}}$   
10A / 250 V  $\sqrt{\text{~}}$



Codes to be inserted in the TVLink device.  
Each channel must be controlled by one single Device.

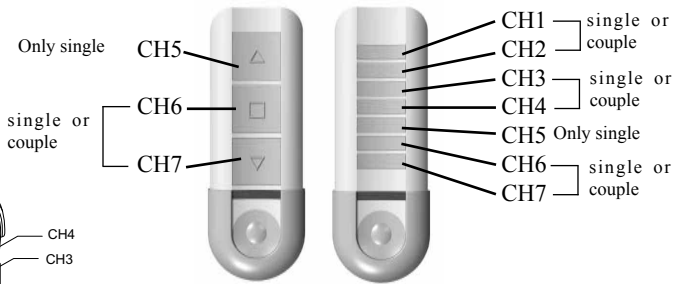
### Terminal board connection

- Binding post n.1 Relay contact normally close
- Binding post n.2 Relay common contact
- Binding post n.3 Relay contact normally open
- Binding post n.4-5 Power supply input 230V  $\sqrt{\text{~}}$
- Binding post n.6 Antenna pole
- Binding post n.7 Antenna mass

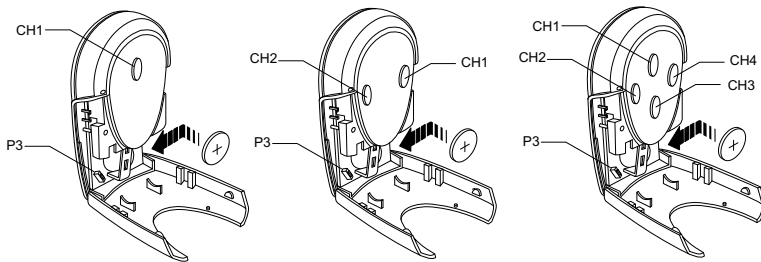
### TVTXQ868A03-07-18-42

Push-buttons memorization mode

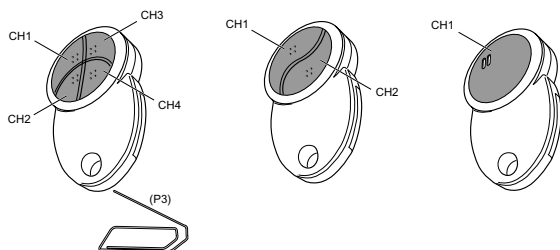
Push-buttons memorization mode



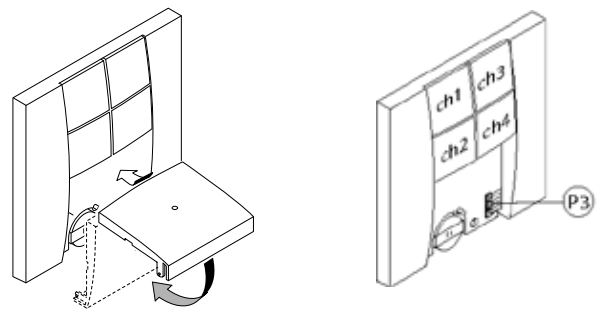
### TVTXV868A01-02-04



### TVTXP868A01-02-04



### TVTXC868A04



In the view of a constant development of their products, the manufacturer reserves the right for changing technical data and features without prior notice.